



EN

Retrofit option

ON WAK 200C/300C

099-002550-EW501

Observe additional system documents!

19.03.2021

**Register now
and benefit!
Jetzt Registrieren
und Profitieren!**

www.ewm-group.com



General instructions

WARNING



Read the operating instructions!

The operating instructions provide an introduction to the safe use of the products.

- Read and observe the operating instructions for all system components, especially the safety instructions and warning notices!
- Observe the accident prevention regulations and any regional regulations!
- The operating instructions must be kept at the location where the machine is operated.
- Safety and warning labels on the machine indicate any possible risks. Keep these labels clean and legible at all times.
- The machine has been constructed to state-of-the-art standards in line with any applicable regulations and industrial standards. Only trained personnel may operate, service and repair the machine.
- Technical changes due to further development in machine technology may lead to a differing welding behaviour.

In the event of queries on installation, commissioning, operation or special conditions at the installation site, or on usage, please contact your sales partner or our customer service department on +49 2680 181-0.

A list of authorised sales partners can be found at www.ewm-group.com/en/specialist-dealers.

Liability relating to the operation of this equipment is restricted solely to the function of the equipment. No other form of liability, regardless of type, shall be accepted. This exclusion of liability shall be deemed accepted by the user on commissioning the equipment.

The manufacturer is unable to monitor whether or not these instructions or the conditions and methods are observed during installation, operation, usage and maintenance of the equipment.

An incorrectly performed installation can result in material damage and injure persons as a result. For this reason, we do not accept any responsibility or liability for losses, damages or costs arising from incorrect installation, improper operation or incorrect usage and maintenance or any actions connected to this in any way.

© EWM AG

Dr. Günter-Henle-Strasse 8

56271 Mündersbach Germany

Tel.: +49 2680 181-0, Fax: -244

Email: info@ewm-group.com

www.ewm-group.com

The copyright to this document remains the property of the manufacturer.

Copying, including extracts, only permitted with written approval.

The content of this document has been prepared and reviewed with all reasonable care. The information provided is subject to change; errors excepted.

1 For your safety**1.1 Safety instructions****⚠ WARNING**

Do not carry out any unauthorised repairs or modifications!

To avoid injury and equipment damage, the unit must only be repaired or modified by specialist, skilled persons!

The warranty becomes null and void in the event of unauthorised interference.

- Appoint only skilled persons for repair work (trained service personnel)!



Risk of accidents due to non-compliance with the safety instructions!

Non-compliance with the safety instructions can be fatal!

- Carefully read the safety instructions in this manual!
- Observe the accident prevention regulations and any regional regulations!
- Inform persons in the working area that they must comply with the regulations!

These supplementary sheets must be used in conjunction with the appropriate standard operating instructions for the described product! These supplementary sheets expand or replace one or more chapters of the same name(s) in the standard description.

Read and observe the operating instructions for all system components, especially the safety instructions!

2 Intended use

2.1 General

WARNING



Hazards due to improper usage!

The machine has been constructed to the state of the art and any regulations and standards applicable for use in industry and trade. It may only be used for the welding procedures indicated at the rating plate. Hazards may arise for persons, animals and material objects if the equipment is not used correctly. No liability is accepted for any damages arising from improper usage!

- The equipment must only be used in line with its designated purpose and by trained or expert personnel!
- Do not improperly modify or convert the equipment!

These instructions apply only for the conversion of the following machines:

- Picomig 180
- alpha Q drive 200C / 300C
- Phoenix drive 200C / 300C
- Taurus drive 200C / 300C
- Drive XQ IC 200

2.2 Short description of the working steps required

- Remove machine feet.
- Mount guide and fixed castors to the carrier plate.
- Mount the wheel assembly kit to an existing machine.

2.3 Diagram of the assembled option

Example of wire feeder Drive XQ IC 200:

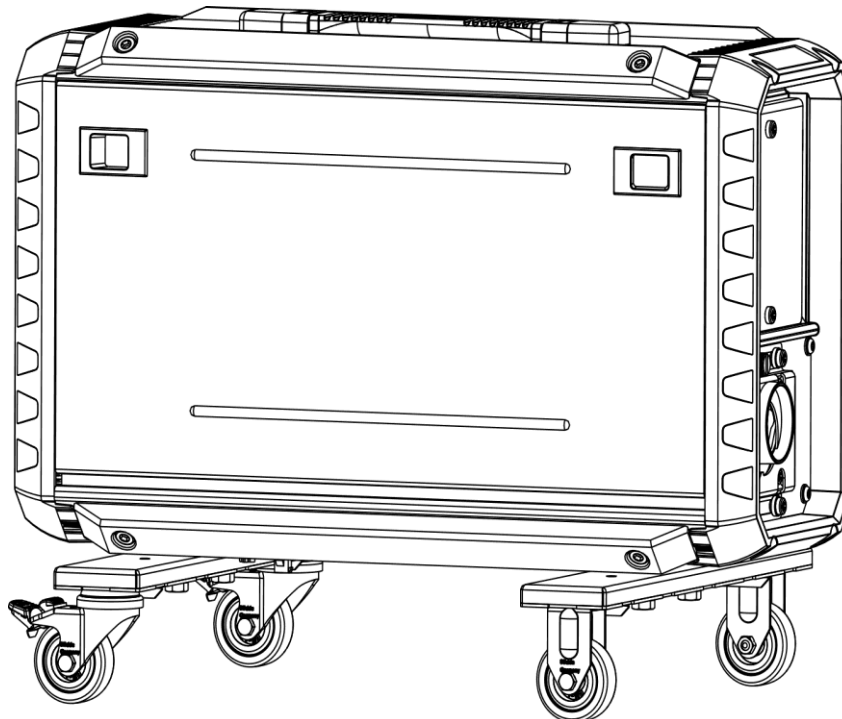


Figure 2-1

3 Conversion

3.1 General

DANGER

Risk of injury from electric shock!
Servicing machines that are not disconnected from the mains can lead to serious injuries!

- Disconnect the machine completely from the mains.
Pull out the mains plug!
- Wait for 4 minutes until the capacitors have discharged!

3.2 Parts list

Before conversion, check that the retrofit kit is complete (see parts list).

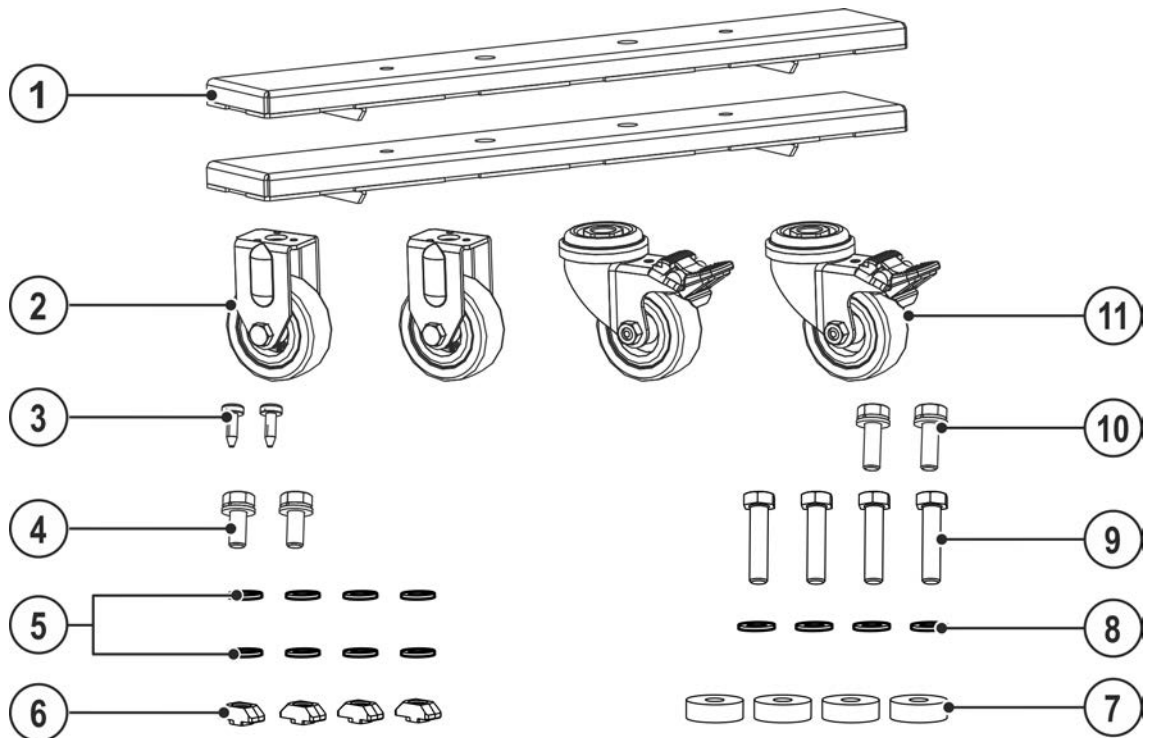


Figure 3-1

Item	Quantity	Description	Item number
1	2	Cross bar	094-015361-00000
2	2	Fixed castor	094-017208-00000
3	2	Threaded grooved pin M5 x 16	094-015135-00000
4	2	Hexagonal screw (parts are captive) - M8 x 16	064-000512-00000
5	8	Plain washer - M6	064-000586-00000
6	4	T-head nut - M8	094-026048-00000
7	4	Position washer	094-026078-00000
8	4	Spring washer - M8	064-000596-00000
9	4	Hexagon screw M8 x 35	064-000658-00000
10	2	Hexagonal screw (parts are captive) - M8 x 20	064-000511-00000
11	2	Guide castor, with lock	094-000180-00002

3.3 Tools and auxiliaries

The specified tools are not included.

Symbol	Type	Description
	T 25	Tool for screws with hexagonal socket round head (M5)
	WAF 13	Tool for hexagonal screws with width across flats 13 mm

3.4 Preparations

3.4.1 alpha Q drive 200C / -300C, Phoenix drive 200C / -300C, Taurus drive 200C / -300C

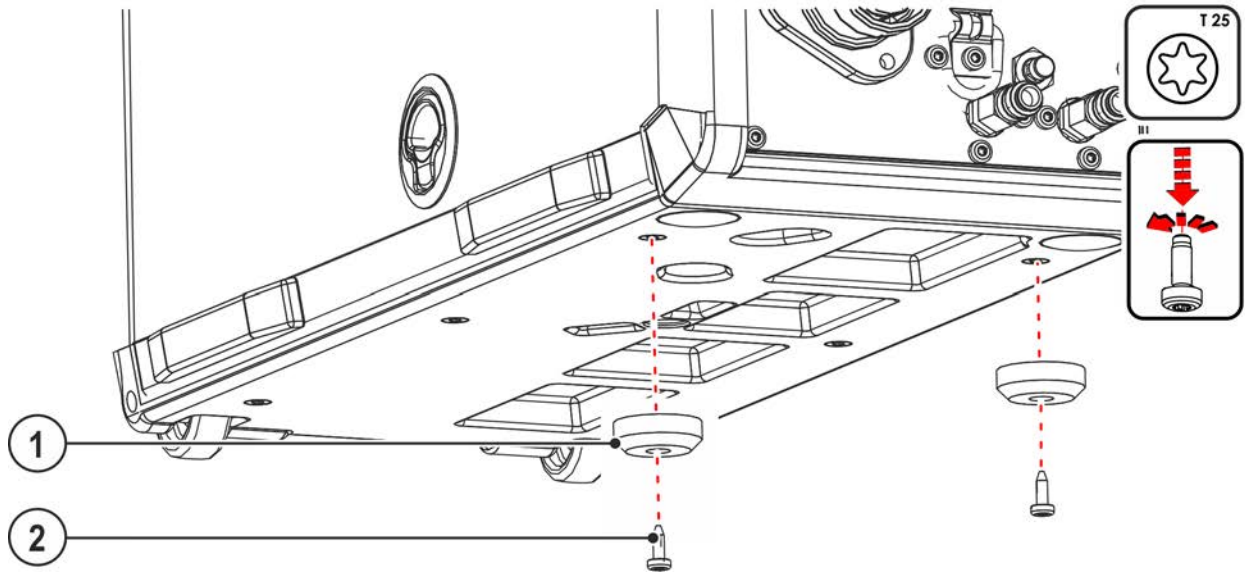


Figure 3-2

Item	Quantity	Description	Item number
1	2	Machine foot	
2	2	Threaded grooved pin M5 x 16	094-015135-00000

- Remove unit feet.

The screws will be needed again for mounting.

3.5 Assembly

⚠ CAUTION

Improperly secured equipment!
Equipment, equipment combinations and accessories incorrectly fastened onto transport systems can tip over during transport and cause injuries!

- Only used the original parts supplied to fasten the equipment.
- Use the systems only for transporting the machines .
- Check the fixing points before each transport and at regular intervals.

3.5.1 alpha Q drive 200C / -300C, Phoenix drive 200C / -300C, Taurus drive 200C / -300C

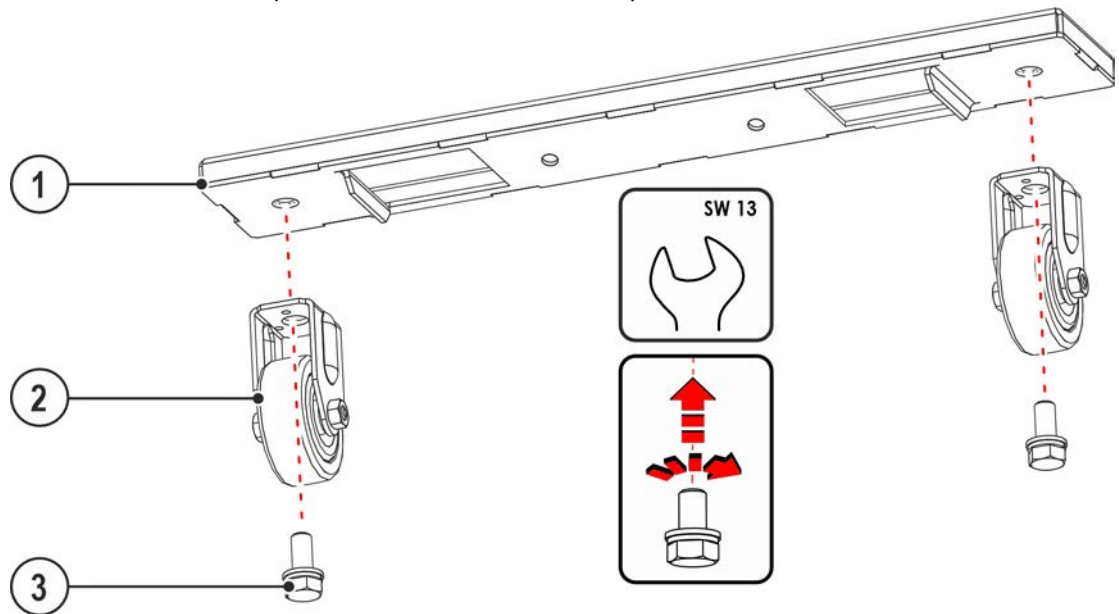


Figure 3-3

Item	Quantity	Description	Item number
1	1	Cross bar	094-015361-00000
2	2	Fixed castor	094-017208-00000
3	2	Hexagonal screw (parts are captive) - M8 x 16	064-000512-00000

- Mount the fixed castors on the cross arm using the fastening material.

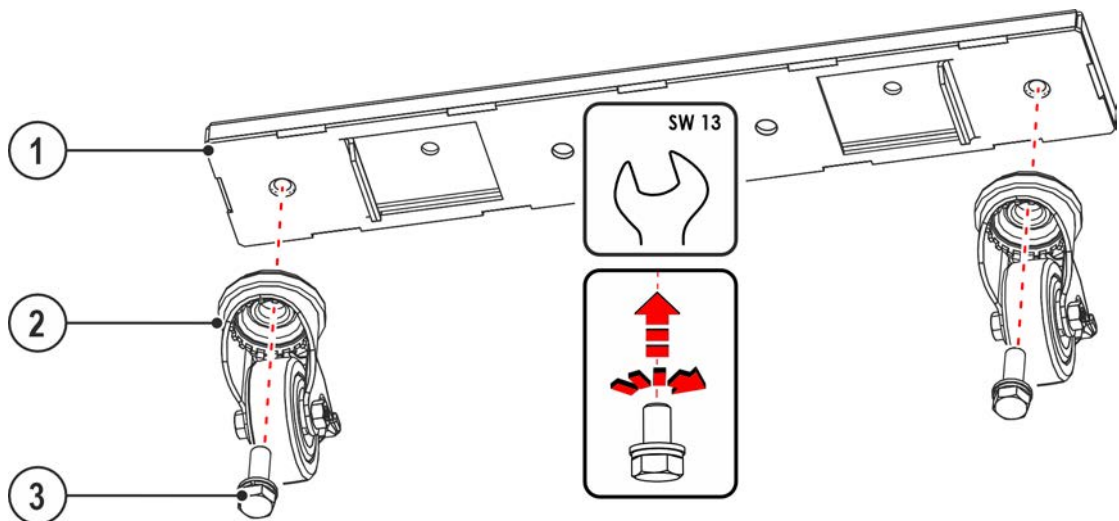


Figure 3-4

Item	Quantity	Description	Item number
1	1	Cross bar	094-015361-00000
2	2	Guide castor, with lock	094-000180-00002
3	2	Hexagonal screw (parts are captive) - M8 x 20	064-000511-00000

- Attach the guide castors to the cross arm using the fastening material.

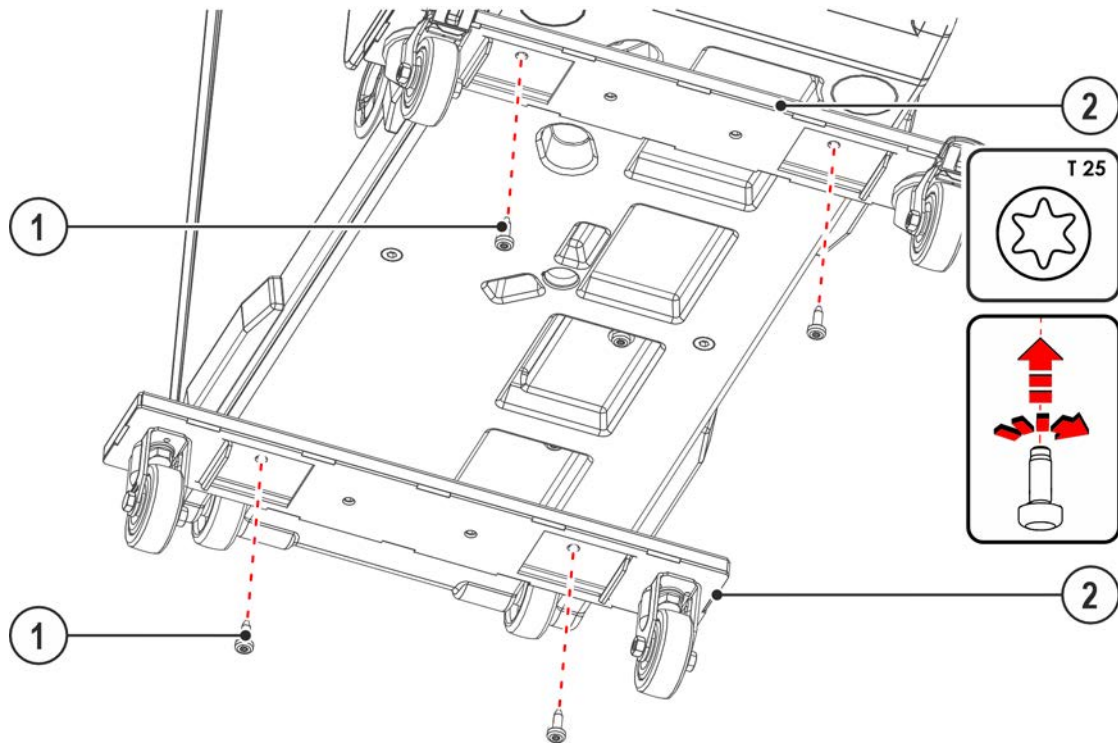


Figure 3-5

Item	Quantity	Description	Item number
1	2	Threaded grooved pin M5 x 16	094-015135-00000
2	1	Cross bar	094-015361-00000

- Attach the cross arm to the device base plate using the fastening material.

3.5.2 Drive XQ IC 200

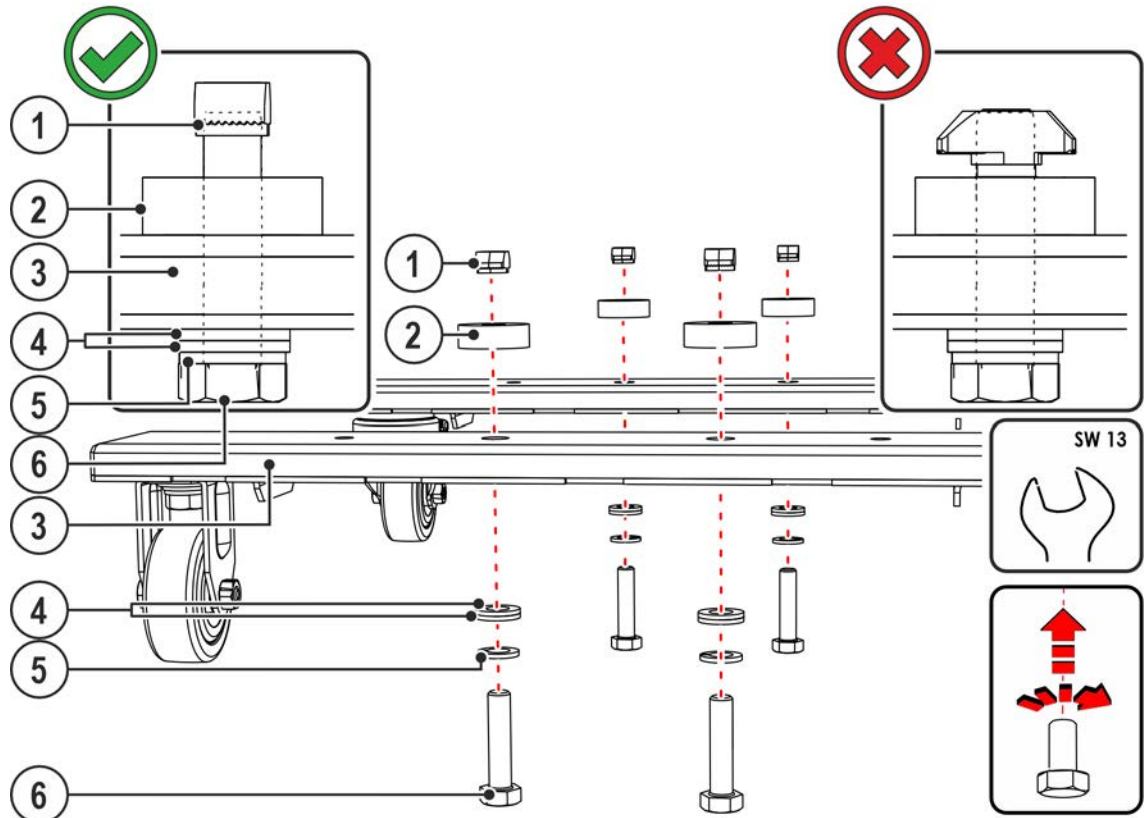


Figure 3-6

Item	Quantity	Description	Item number
1	4	T-head nut - M8	094-026048-00000
2	4	Position washer	094-026078-00000
3	1	Cross bar	094-015361-00000
4	8	Plain washer - M6	064-000586-00000
5	4	Spring washer - M8	064-000596-00000
6	4	Hexagon screw M8 x 35	064-000658-00000

- Attach the fastening material to the cross arm.

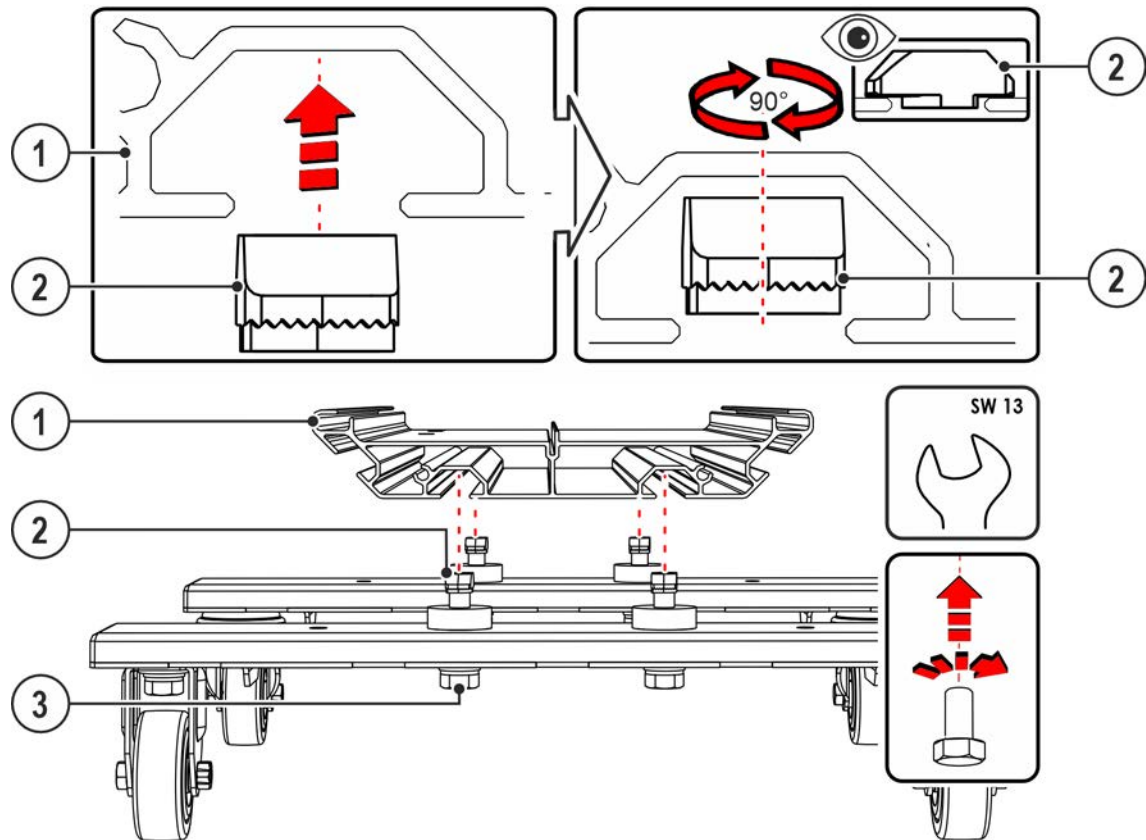


Figure 3-7

Item	Quantity	Description	Item number
1	1	Wire feeder	
2	4	T-head nut - M8	094-026048-00000
3	4	Hexagon screw M8 x 35	064-000658-00000

- Position the T-head nut in the groove of the wire feeder, turn and fasten.

3.6 Final inspection

WARNING



Danger due to failure to carry out the final inspection!
Parts that are incorrectly fitted or that become loose are a source of danger.

- Check all mechanical connections to ensure that they are fitted correctly!
- Carry out the final inspection!
- Carry out the functional test!

Keep the conversion instructions with the machine documentation!

When ordering spare parts, ensure that the item number and serial number of the machine are quoted!

4 Technical data
4.1 ON WAK 200C/300C

The technical data given here completes or replaces the respective values in the standard operating instructions.

	Dimensions (l x b x h)	Weight
Picomig 180	685 x 360 x 470 mm 26.9 x 14.2 x 18.5 inch	18,7 kg 41.2 lb
drive 200C	580 x 360 x 470 mm 22.8 x 14.2 x 18.5 inch	16,2 kg 35.7 lb
drive 300C	740 x 290 x 590 mm 29.1 x 11.4 x 23.2 inch	17,2 kg 37.9 lb
Drive XQ D200	520 x 360 x 401 mm 20.5 x 14.2 x 15.8 inch	14,1 kg 31.1 lb