



EN

Sensor for measuring the wire feed speed

EMU WF 1 Sensor

099-008844-EW501

Observe additional system documents!

25.02.2021

**Register now
and benefit!
Jetzt Registrieren
und Profitieren!**

www.ewm-group.com



General instructions

WARNING



Read the operating instructions!

The operating instructions provide an introduction to the safe use of the products.

- Read and observe the operating instructions for all system components, especially the safety instructions and warning notices!
- Observe the accident prevention regulations and any regional regulations!
- The operating instructions must be kept at the location where the machine is operated.
- Safety and warning labels on the machine indicate any possible risks. Keep these labels clean and legible at all times.
- The machine has been constructed to state-of-the-art standards in line with any applicable regulations and industrial standards. Only trained personnel may operate, service and repair the machine.
- Technical changes due to further development in machine technology may lead to a differing welding behaviour.

In the event of queries on installation, commissioning, operation or special conditions at the installation site, or on usage, please contact your sales partner or our customer service department on +49 2680 181-0.

A list of authorised sales partners can be found at www.ewm-group.com/en/specialist-dealers.

Liability relating to the operation of this equipment is restricted solely to the function of the equipment. No other form of liability, regardless of type, shall be accepted. This exclusion of liability shall be deemed accepted by the user on commissioning the equipment.

The manufacturer is unable to monitor whether or not these instructions or the conditions and methods are observed during installation, operation, usage and maintenance of the equipment.

An incorrectly performed installation can result in material damage and injure persons as a result. For this reason, we do not accept any responsibility or liability for losses, damages or costs arising from incorrect installation, improper operation or incorrect usage and maintenance or any actions connected to this in any way.

© EWM AG

Dr. Günter-Henle-Strasse 8
56271 Mündersbach Germany
Tel.: +49 2680 181-0, Fax: -244
Email: info@ewm-group.com
www.ewm-group.com

The copyright to this document remains the property of the manufacturer.

Copying, including extracts, only permitted with written approval.

The content of this document has been prepared and reviewed with all reasonable care. The information provided is subject to change; errors excepted.

1 Operating instructions supplement

1.1 General

These supplementary sheets must be used in conjunction with the appropriate standard operating instructions for the described product! These supplementary sheets expand or replace one or more chapters of the same name(s) in the standard description.

Read and observe the operating instructions for all system components, especially the safety instructions!

When ordering spare parts, ensure that the item number and serial number of the welding machine are quoted.

1.2 Use and operation solely with the following machines

- EMU Base
- EMU DGC

2 Machine description – quick overview

2.1 Side view

The illustration serves as an example only.

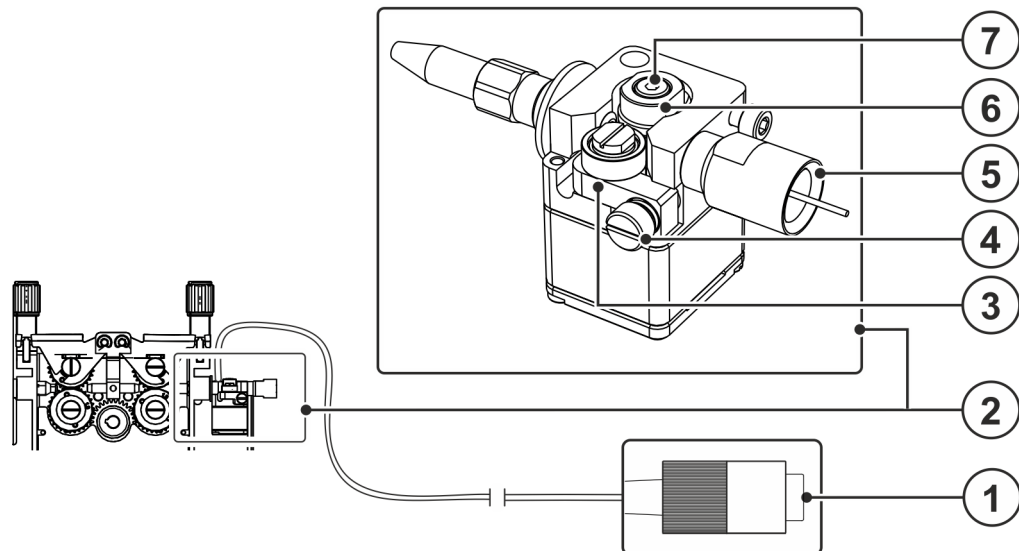


Figure 2-1

Item	Symbol	Description
1		Connector plug (8-pole)
2		Wire feed speed sensor
3		Clamping unit
4		Knurled screw with slot For mounting the clamping unit.
5		Wire feed nipple
6		Wire feed roll
7		Hexagon socket cylinder screw For mounting the wire feed roll.

3 Design and function

3.1 General

Only wires with a diameter of 0.8 mm to 1.6 mm are measured.

3.2 Wire feed speed sensor connection

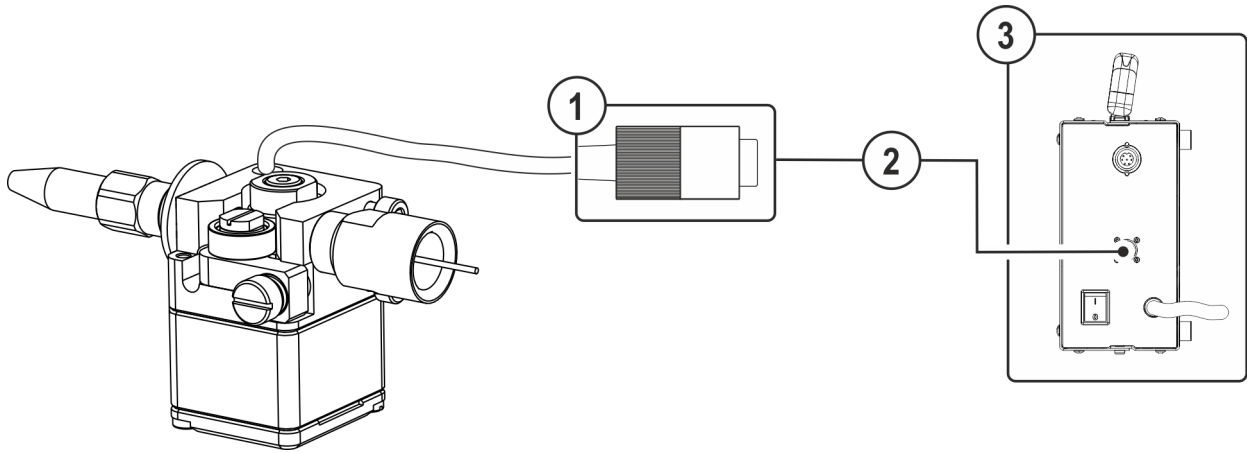



Figure 3-1

Item	Symbol	Description
1		Connector plug (8-pole)
2		Connection socket (8-pole) Connection of sensor for measuring wire feed speed
3		External measuring unit (EMU)

- Plug 8-pole connector plug into 8-pole connection socket (sensor for measuring wire feed speed) and lock.

3.2.1 Wire feed

3.2.1.1 Changing the wire feed rollers

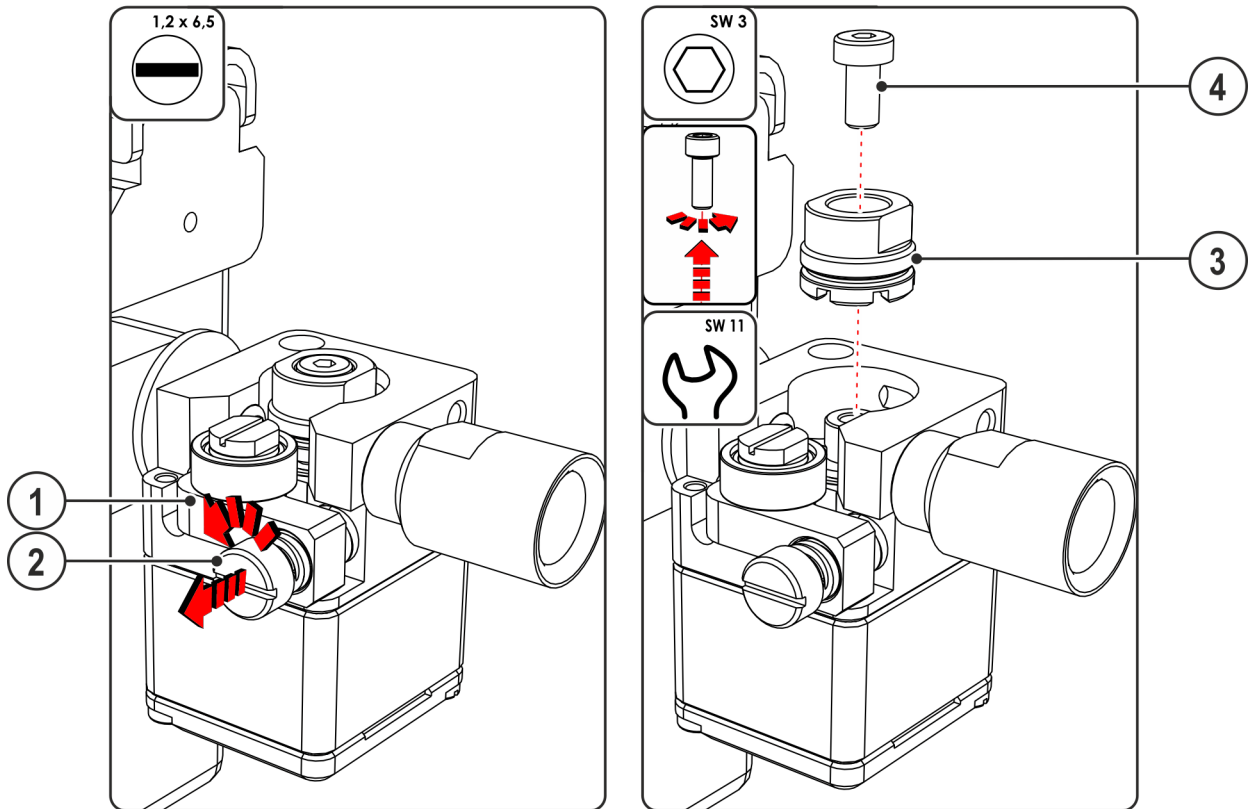


Figure 3-2

Item	Symbol	Description
1		Clamping unit
2		Knurled screw with slot For mounting the clamping unit.
3		Wire feed roll
4		Hexagon socket cylinder screw For mounting the wire feed roll.

The wire feed roll must be adapted to each wire diameter.

- Loosen the knurled screw (tensioning unit releases the wire feed roll).
- Loosen the hexagon socket cylinder screw.
- Remove wire feed roll.
- Assemble by following these steps in the reverse order